

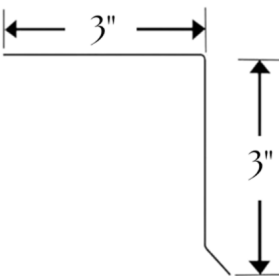

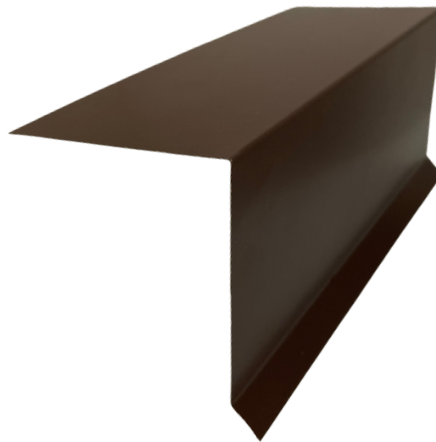
 WWW.FRANKLINSOUTHERN.COM
 SALES@FRANKLINSOUTHERN.COM
 904.551.7150

90° - DRIP EDGE

ROOFING ACCESORIES

METAL	STYLE	NOM SIZE*		REF.
GALVALUME STEEL 26 GAUGE	90° ROOF EDGE	3" x 3"		
ALUMINUM				



FSM CODE	METAL / GAUGE	STYLE	COLOR	NOM SIZE	PALLET QTY	COUNT	WARRANTY
FS90RE32BL	STEEL - 26G	90°	BLACK	3" x 3"	1000	25/count	25 YEARS
FS90RE32WH	STEEL - 26G	90°	WHITE	3" x 3"	1000	25/count	25 YEARS
FS90RE32BR	STEEL - 26G	90°	BROWN	3" x 3"	1000	25/count	25 YEARS
FS90RE32MB	STEEL - 26G	90°	MUSKET BROWN	3" x 3"	1000	25/count	25 YEARS
FS90RE32BZ	STEEL - 26G	90°	BRONZE	3" x 3"	1000	25/count	25 YEARS

FSM CODE	METAL / GAUGE	STYLE	COLOR	NOM SIZE	PALLET QTY	COUNT	WARRANTY
FS90REPA32BL	ALUMINUM	90°	BLACK	3" x 3"	1600	TBD	20 YEARS
FS90REPA32WH	ALUMINUM	90°	WHITE	3" x 3"	1600	TBD	20 YEARS
FS90REPA32BR	ALUMINUM	90°	BROWN	3" x 3"	1600	TBD	20 YEARS
FS90REPA32MB	ALUMINUM	90°	MUSKET BROWN	3" x 3"	1600	TBD	20 YEARS

PACKAGING OPTIONS (BUNDLE / BOXES)

ADDITIONAL COLORS AVAILABLE UPON REQUEST / EMBOSSED STEEL & ALUMINUM AVAILABLE
 GALVALUME STEEL UP TO FLORIDA BUILDING CODE FBC ABOVE 0.0195"
 DISCLAIMER*: SELECT PRODUCTS MAY BE ADVERTISED IN NOMINAL SIZES.